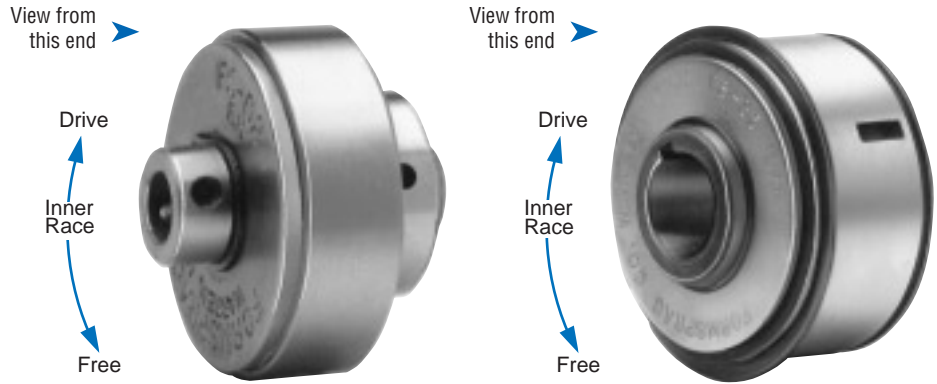


Overrunning, Indexing, Backstopping Sleeve Bearing Supported, Sprag Clutches

These small clutches are ideal for use in all types of small machines and precision instruments and may be used for overrunning, indexing and backstopping applications. They are sleeve bearing clutches. Typical mounting arrangement for FS Series clutches is shown below.

FS 02 through 05 clutches are shipped from the factory lubricated for life with Fiske Brothers Lubriplate Low-Temp grease.

For further information, write for Installation and Maintenance Bulletin A-3003 (FS-02 and FS-04) or No. 2221 (FS-05).



Right Hand rotation shown. (Left Hand opposite).
Specify direction of rotation when ordering.

Model FS-02, FS-04

Models FS-02 and FS-04 are secured to the Shaft by a roll pin provided with the clutch. Both the hub and the O.D. of the outer race are ground to close limits and may be used to mount attaching parts.

Model FS-05

Model FS-05 is driven from the shaft by a .125" key. Parts should be mounted on the ground O.D. of the clutch. Snap rings and Woodruff key are provided.

Specifications

Size	Torque Capacity lb.ft. (Nm)	Overrunning Speed Max. RPM		Resistance after run-in lb.ft. (Nm)	Lubrication	Shipping Weight lb. (kg)
		Inner Race	Outer Race			
02	4.5 (6)	3,450	2,400	.02 (.027)	Grease	.187 (.08)
04	17 (23)	2,800	2,400	.02 (.027)	Grease	.312 (.14)
05	30 (41)	1,800	900	.05 (.067)	Grease	.812 (.37)

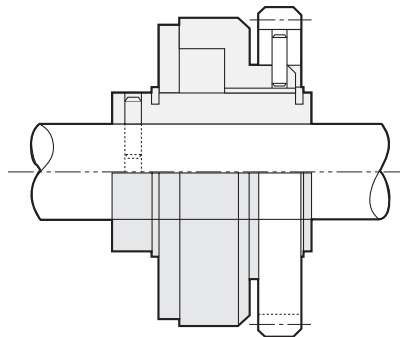
Notes:

Check key and shaft stress before making final clutch selection since this may determine the maximum allowable drive torque capacity.

Specify direction of rotation when ordering.

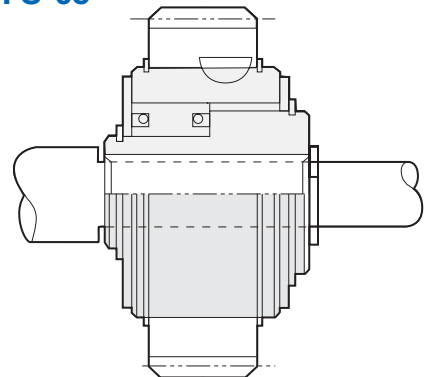
Typical Mounting Arrangements

FS-02



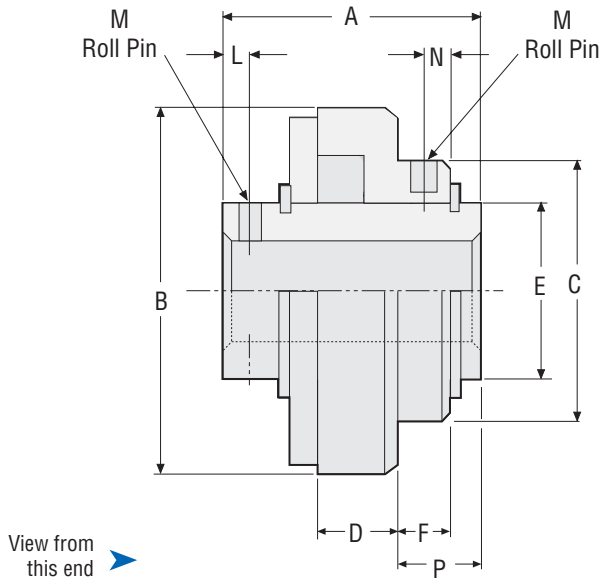
The Model FS 02 and 04 must be axially restrained by a Roll Pin (supplied) through the shaft.

FS-05

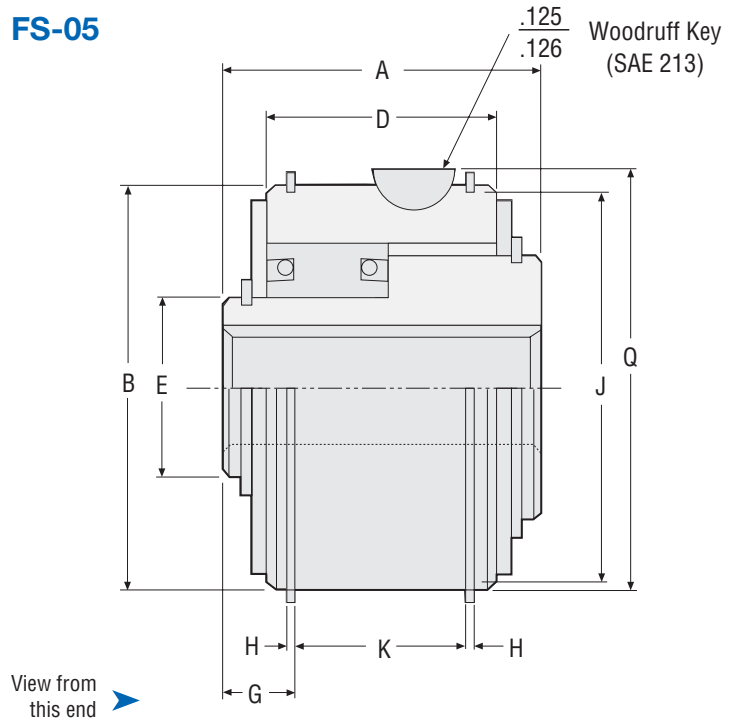


The Model FS 05 must be axially restrained by customer supplied snap ring, set collar, spacer, etc.

FS-02 and FS-04



FS-05



Bore sizes and keyseats inches (mm)
(Metric bore also available)

Size	Bore Size	Keyseat	Bore Range	
			Min.	Max.
02	.250 (6.35)	roll pin	.250 (6.35)	.250 (6.35)
		roll pin		
04	.375/.500 (9.53/12.70)	roll pin	.375 (.953)	.625 (15.88)
		roll pin		
05	.625 (15.88)	1/8 x 1/16 (3.18 x 1.59)	.500 (12.70)	.630 (16.0)

Dimensions inches (mm)

Size	A	B	C	D	E	F	G	H	J	K (Max.)	L	M*	N	P	Q (Max.)
02	1.06 (27.00)	1.250/1.249 (31.75/31.71)	.750/.749 (19.05/19.02)	.390 (9.9)	.429 (10.9)	.250 (6.35)	—	—	—	—	.109 (2.76)	.093 (2.36)	.140 (3.56)	.343 (8.71)	—
04	1.13 (28.60)	1.626/1.624 (41.28/41.24)	1.125/1.124 (28.58/28.55)	.375 (9.5)	.796 (20.2)	.250 (6.35)	—	—	—	—	.125 (3.18)	.125 (3.18)	.156 (3.96)	.359 (9.12)	—
05	1.40 (35.70)	1.937/1.936 (49.20/49.17)	—	1.000 (25.4)	.953 (24.2)	—	.284/.388 (7.22/9.85)	.056/.076 (1.42/1.93)	1.866/1.856 (47.40/47.14)	.750 Max. (19.05 Max.)	—	—	—	—	2.015 Max. (51.18 Max.)

* Roll pin furnished.